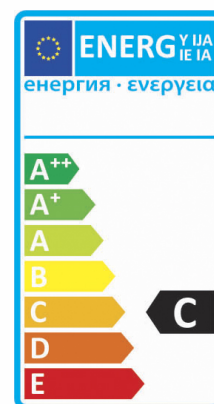
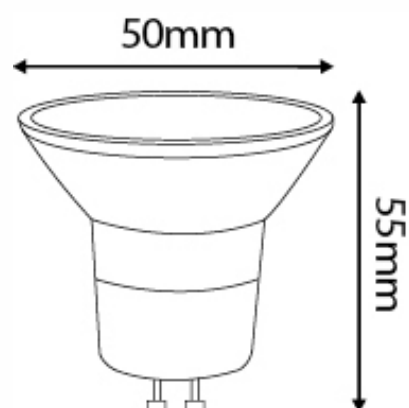


REFLECTEUR HALO ECO 42W 240V GU10

TECHNICAL CHARACTERISTICS

Base	GU10
Watts	42.0000W
Power Consumption	42W
Color	Warm white
Kelvin	- 3000 K
Input Voltage Min	220 V AC
Input Voltage Max	240 V AC
Beam angle	38°
Life Span	2000 h
warranty	1 ans
Certifications	CE, RoHS, ERP
Diameter	50mm
Lumen	280 lm

7640153468291



1500 2000 2500 3000 3500 4000 4500 5000 5500 6000 6500 7000 7500 8000

