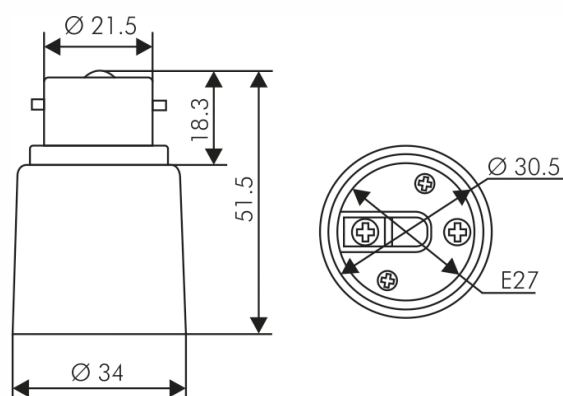


# ADAPTATEUR B22-E27 BLANC

## TECHNICAL CHARACTERISTICS

Color	No
Kelvin	- K
Beam angle	No°
Certifications	CE, RoHS

3125461584634



1500 2000 2500 3000 3500 4000 4500 5000 5500 6000 6500 7000 7500 8000

